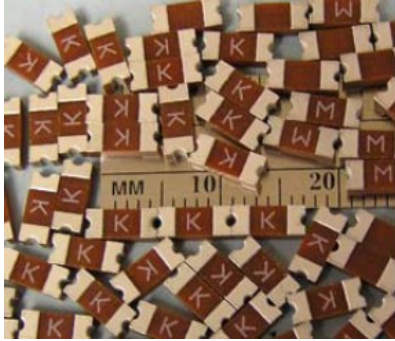


## AirMatrix® Surface Mount Fuses

### AF Series, 2410 Size



#### Features:

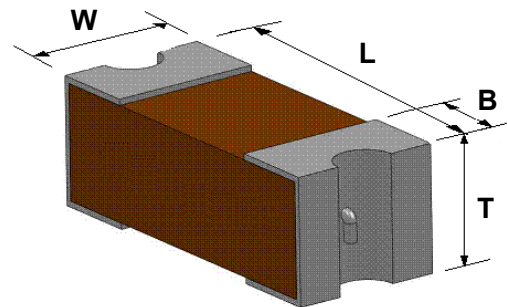
- Fast acting at 200% overload current level
- Excellent inrush current withstanding capability
- Fiberglass enforced epoxy fuse body
- Copper or copper alloy composite fuse link
- Copper termination with nickel and tin plating
- Halogen free, RoHS compliant and 100% lead-free
- Operating temperature range: -55°C to +125°C (with de-rating)

#### Application Fields:

- Power Supply, e.g. DC/DC converters, DC/AC inverters, Backlight drivers, etc.
- Consumer Electronics, e.g. LCD TVs, PDP, DVDs, PCM, etc.
- Communication Technology, e.g. Telecom systems, Networking, Modems, Routers, Chargers, Base stations, etc.
- Office Automation Electronics
- IT Products, e.g. LCD monitors, Notebooks, PC servers, etc.

#### Shape and Dimensions:

Unit	Inch	mm
L	0.240 ± 0.006	6.10 ± 0.15
W	0.098 ± 0.006	2.49 ± 0.15
T	0.085 ± 0.008	2.16 ± 0.20
B	0.053 ± 0.015	1.35 ± 0.38



#### Clearing Time Characteristics:

% of Current Rating	Clearing Time at 25°C	
100%	4 hours min.	
200%(0.50~10.0 A)	0.01 seconds min.	5 seconds max.
200%(12.0~20.0 A)	0.01 seconds min.	20 seconds max.

#### Agency Approval:

- Recognized Under the Components Program of Underwriters Laboratories. File Number: E232989
- PSE Certificate No: NBK180711-JP13710
- TUV File Number: 50209083
- CQC No.: CQC11012065955

#### Patents:

Patent numbers "ZL200810092353.3", "ZL200910007157.6", "ZL201120450579.3", "ZL201120536307.5", "ZL201220063222.4", "ZL201110123326.X".

## AirMatrix® Surface Mount Fuses

### AF Series, 2410 Size

#### Ordering Information:

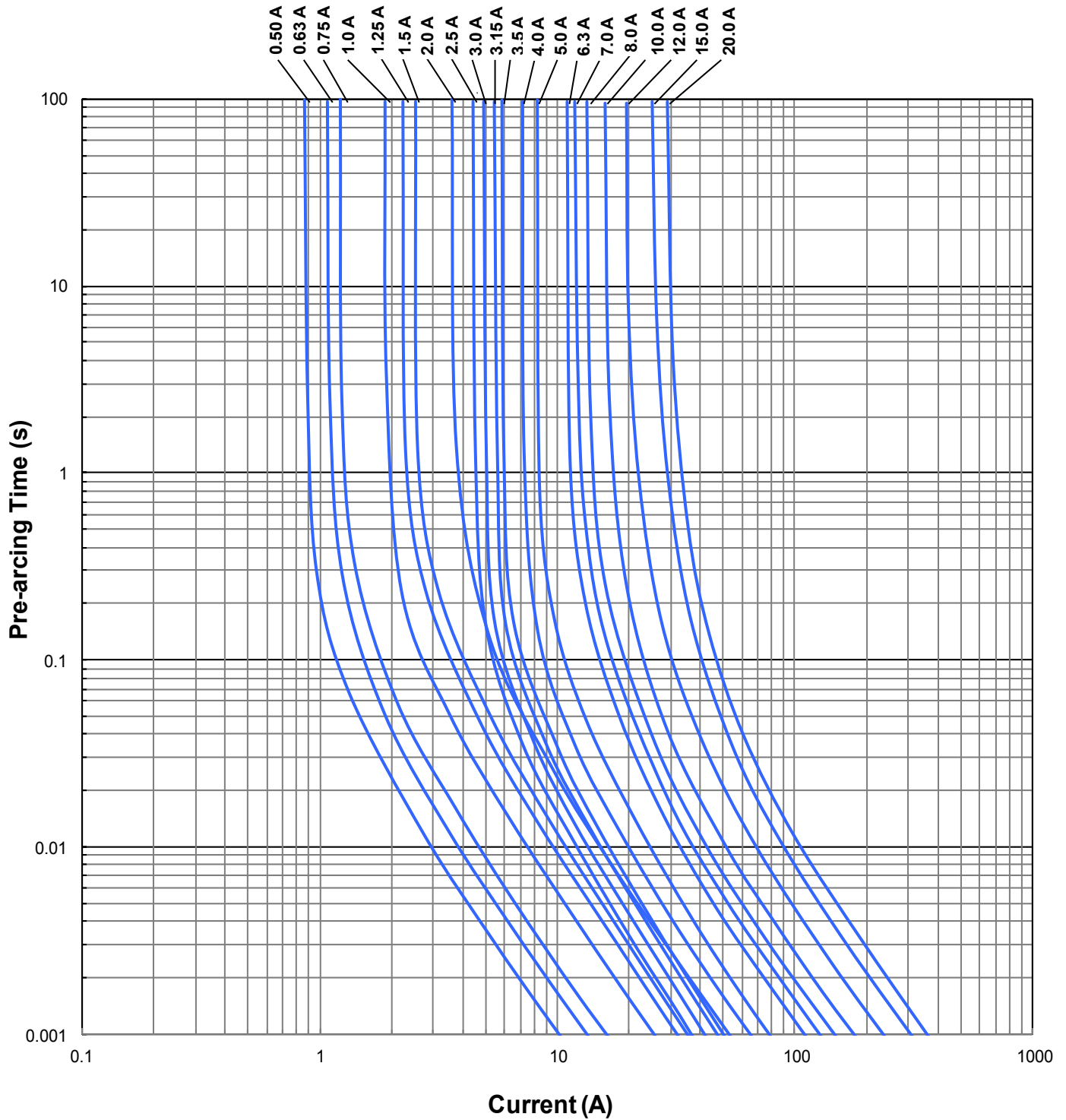
Part Number	Current Rating (A)	Voltage Rating (V)		Interrupting Rating	Nominal Cold DCR ( $\Omega$ ) <sup>1</sup>	Nominal $I^2t$ ( $A^2s$ ) <sup>2</sup>	Agency Approval				Marking (Optional) <sup>3</sup>
		AC	DC				UL	PSE	TUV	CQC	
AF2-0.50V125TM	0.5	250		<b>TUV:</b> 0.5 ~ 2 A 100 A @ 250 VAC 50 A @ 125 VDC	0.231	0.10	✓		✓	✓	C
AF2-0.63V125TM	0.63				0.174	0.16	✓		✓		S
AF2-0.75V125TM	0.75				0.148	0.23	✓				D
AF2-1.00V125TM	1.0				0.093	0.59	✓	✓	✓	✓	E
AF2-1.25V125TM	1.25				0.07	0.96	✓	✓	✓		F
AF2-1.50V125TM	1.5				0.062	1.19	✓	✓			G
AF2-2.00V125TM	2.0				0.042	2.75	✓	✓	✓	✓	I
AF2-2.50V125TM	2.5				0.031	1.21	✓	✓			J
AF2-3.00V125TM	3.0				0.0249	1.73	✓	✓			K
AF2-3.15V125TM	3.15				0.0232	2.2	✓	✓			V
AF2-3.50V125TM	3.5	125		<b>CQC:</b> 0.5 A, 1 A, 2 A 100 A @ 250 VAC 50 A @ 125 VDC	0.022	2.5	✓	✓			L
AF2-4.00V125TM	4.0				0.0172	4.1	✓	✓			M
AF2-5.00V125TM	5.0				0.0143	5.9	✓	✓			N
AF2-6.30V125TM	6.3				0.01	12.5	✓				O
AF2-7.00V125TM	7.0				0.0094	14.2	✓				P
AF2-8.00V125TM	8.0				0.0086	20.3	✓				R
AF2-10.0V125TM	10.0				0.0066	29.2	✓				Q
AF2-12.0V065TM	12.0				65	65	<b>UL:</b> 0.5 ~ 2 A 100A @ 250VAC 1.5 ~ 8 A 50A @ 125VAC 0.5 ~ 8 A 50 A @ 125 VDC 300 A @ 32 VDC	0.0053	49.2	✓	
AF2-15.0V065TM	15.0	0.0038	102.5	✓							Y
AF2-20.0V065TM	20.0	0.0034	126.2	✓							Z

1. Measured at  $\leq 10\%$  rated current and 25°C ambient.  
 2. Melting  $I^2t$  at 0.001 second pre-arcing time.  
 3. White Marking Character Code.

# AirMatrix<sup>®</sup> Surface Mount Fuses

## AF Series, 2410 Size

### Average Pre-arcing Time Curves:



# AirMatrix<sup>®</sup> Surface Mount Fuses

## AF Series, 2410 Size

### Average $I^2t$ vs. $t$ Curves:

