



# MVF Series ESD-EMI 4 Channel SMD Array

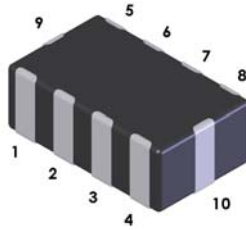
AEM is proud to introduce a new addition to its ESD suppressor product family by offering a **4 Channel ESD-EMI Array**. It provides reliable ESD protection combined with superior EMI filtering all in one compact 0508 package. By utilizing a “Pi” type LC filter, the **ESD-EMI Array** is capable of efficiently attenuating up to -25dB high frequency signals. The **ESD-EMI Array** is an ideal choice for applications where board space is critical and both ESD and EMI protection are required.

## KEY FEATURES

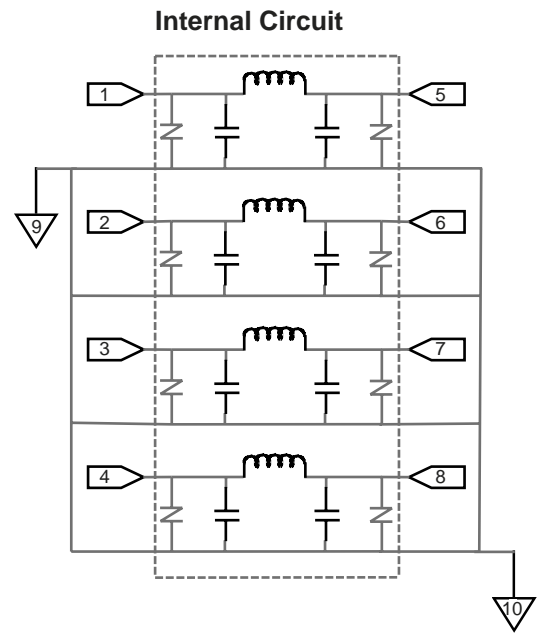
- Bi-directional
- EIA 0508 Footprint
- RoHS Compliant
- Halogen Free
- Low Leakage Current
- IEC61000-4-2 Direct & Air Discharge

## APPLICATION

- Mobile Phone
- PDA, MP3, Digital Camera
- Laptop
- LCD Display

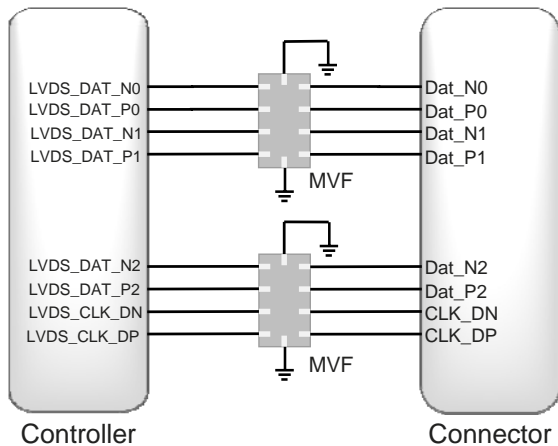


Pin	Function	Description
1/5	I/O	Channel 1
2/6	I/O	Channel 2
3/7	I/O	Channel 3
4/8	I/O	Channel 4
9/10	I/O	Ground



Part Number	Working Voltage Max [VDC]	Breakdown Voltage [V]	Clamping Voltage Max [V]	Cut Off Frequency [MHz]	Attenuation @ 800-200MHz [dB]	Typical Capacitance @ 1MHz [pF]
MVF0508L4V005F100M	5	20-34	55	100	<-25	57.5
MVF0508L4V005F200M	5	20-34	65	200	<-25	30
MVF0508L4V005F300M	5	34-44	80	300	<-25	15

## LCD Display Interface



## SD/Mini SD Card

